

This document is subject to change without notice.

Grasping



Min. grasping height, lateral
 Min. grasping height, frontal
 Max. grasping height for KLT, lateral
 Max. grasping height for KLT, frontal
 Max. dimensions of pillar

- (A) 400 mm
- 500 mm
- (B) 1600 mm
- 1600 mm
- (C) 30 mm x 30 mm

Pick-up Interface



Min. free space below the bottom edge of the item
 Min. free space above the top edge of the item
 Min. depth for the conveyor gripper
 Max. stopper height flow rack
 Max. stopper height conveyor

- (D) 80 mm
- (E) 80 mm
- (F) 100 mm
- 20 mm
- (G) 10 mm

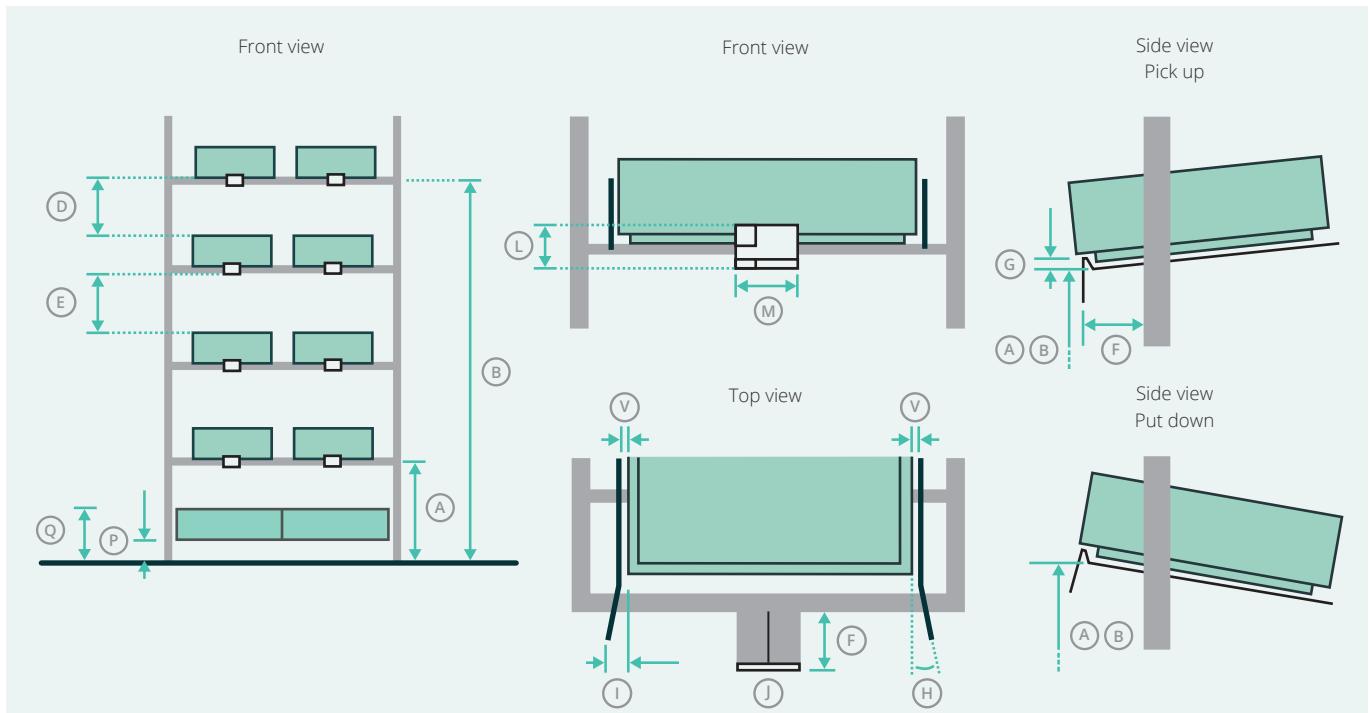
Put-down Interface



Opening angle of the funnels to the front
 Min. width of the funnel to the side
 Min. free space above the top edge of the item
 Min. space between KLT and guiding rail
 Measuring line for adapter distance

- (H) 10°
- (I) 17,5 mm
- (E) 30 mm
- (V) 5 mm (each side)
- (J) Middle of adapter

The Panel must be the most protruding part.



For dimensions without tolerance specification DIN ISO 2768-mK applies



Identification Panel



- Height
- Width
- Size of the 2D code
- Position of the 2D code
- Size of the reflective tape
- Position of the reflective tape

- (L) 60 mm
- (M) 80 mm
- 30 x 30 mm
- Upper left edge
- 15 x 30 mm
- Lower left edge

Docking shape (frontal picking)



- Max. width of the poles obstructing the Shape
- Shape
- Angle of the shape
- Depth of the shape
- Position of the shape
- Surface of the shape
- Lower edge of the shape
- Upper edge of the shape
- Distance adapter to the front edge of the shape
- Height for driving underneath

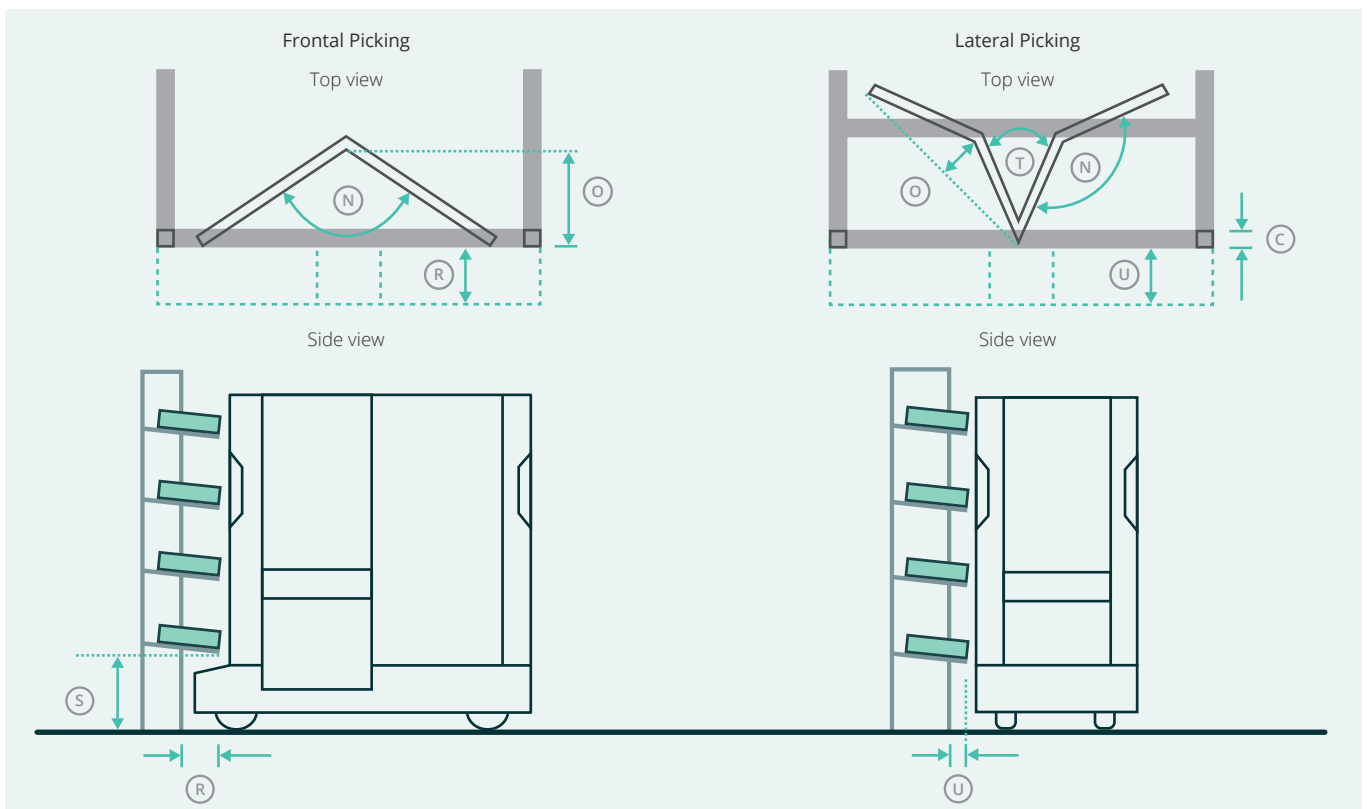
- 30 mm
- V-Shape
- (N) 135 °
- (O) 100 mm
- Centered under the shelf
- Matt white
- (P) Max. 70 mm
- (Q) Min. 170 mm
- (R) 350 mm
- (S) > 400 mm

Docking shape (lateral picking)



- Shape
- Frontal opening angle
- Position of the shape
- Distance adapter to the front edge of the shape

- (T) Star-Shape (consists of two V-shapes)
- 45 ° (if width of shelf > 680 mm), 22,5 ° (if < 680 mm)
- Centered under the shelf
- (U) 100 mm



For dimensions without tolerance specification DIN ISO 2768-mK applies

